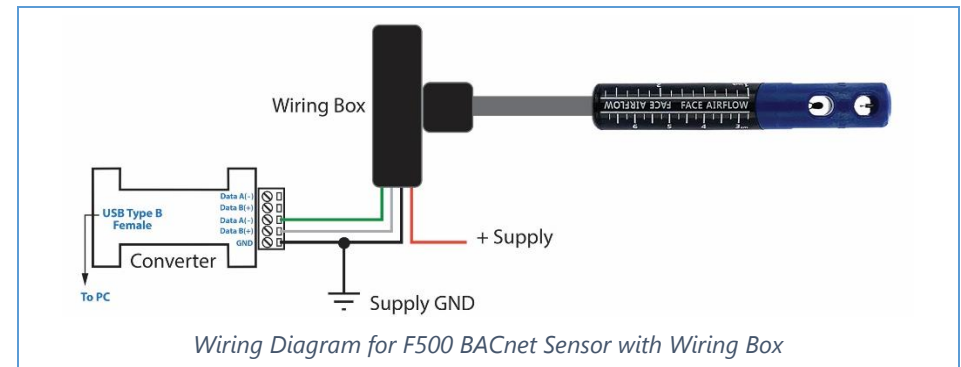
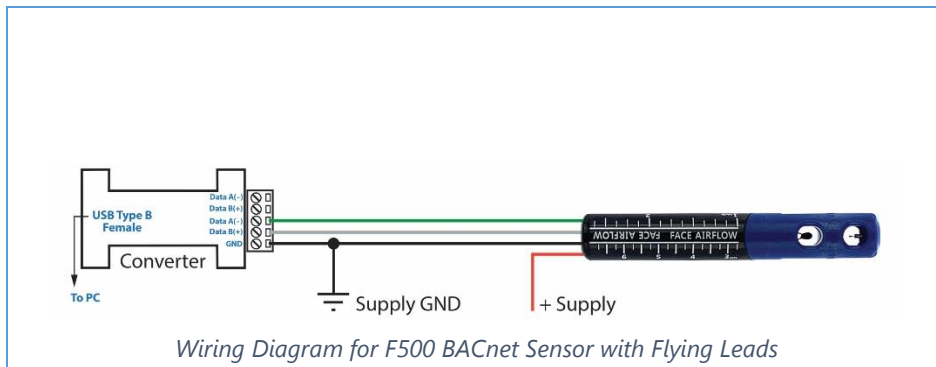
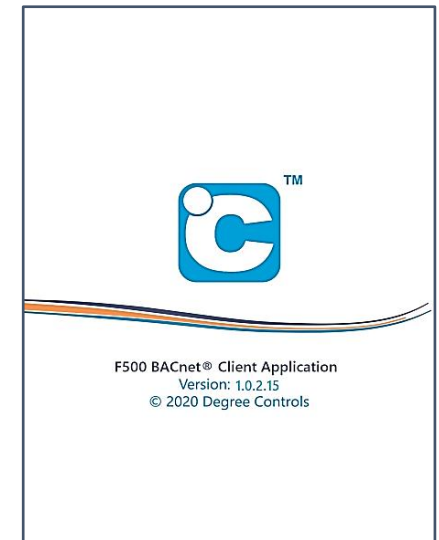


The **F500 BACnet Client Application software** provides an interface to evaluate F500 BACnet air velocity & temperature sensors from a Windows PC and prepare sensors for installation into a building network. F500 BACnet software gives users the means to define device IDs for sensors as well as the ability to view sensor readings and configurations.

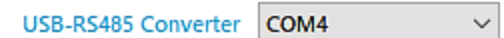
F500 BACnet application software is designed to work with a Windows 10 PC and Advantech's BB-485USBTB-2W-A USB to RS-485 converter. You will need to power F500 BACnet sensor(s) with a 24V supply. Refer to the product manual on our website for detailed specifications.

### Installation & Setup:

1. Download the free F500 BACnet Client Application from our website, and install on a Windows 10 PC.
2. Make connections from the sensor to the converter and from the 24V power source to the sensor.
3. Using the USB cable included with the converter, connect the converter to the PC.
4. Apply power to sensor, and then launch the F500 BACnet application software.



F500 BACnet application software will automatically detect the supported converter and load the appropriate COM ports to the USB-RS485 Converter drop-down list. Use the *Settings* screen to setup communication settings and reassign device identifiers, and use the *Results* screen to view sensor readings and sensor configurations.



*Note: BACnet MS/TP networks must be wired in a daisy chain configuration and terminated to ensure proper operation. The extreme ends of the network shall be terminated with a 120Ω resistor across the A and B lines. Reference ANSI/ASHRAE Standard 135 for BACnet networking protocol.*

Contact Degree Controls at 1-877-degreeC, or visit our website at [www.degreeC.com](http://www.degreeC.com). Email sales inquiries to [sales@degreec.com](mailto:sales@degreec.com).

BACnet is a trademark of ASHRAE.