

PRONTOflow TRAY

Programmable 1-U Rack mount DC Flow Trays

Features

- ❖ 1U cooling trays for 19" rack applications
- ❖ Available in 3x1, 3x2 and 3x3 fan configurations
- ❖ Programmable temperature-fan speed control
- ❖ Dual power inputs, internally diode OR'ed
- ❖ Available in 24, 48VDC and wide voltage models
- ❖ In-rush current limiter for "hot swap"
- ❖ One inboard and two external temp sensors
- ❖ Isolated alarm output
- ❖ Panel LEDs for Power and Alarm
- ❖ I²C and RS232 communication interfaces
- ❖ Programmable alarm thresholds
- ❖ Field configurable through serial interface
- ❖ External Override input signal
- ❖ Fan failure detection and prediction
- ❖ Filter blockage detection
- ❖ Individual fan fuses, Fail-safe microcontroller design
- ❖ Up to 1400CFM flow capacity



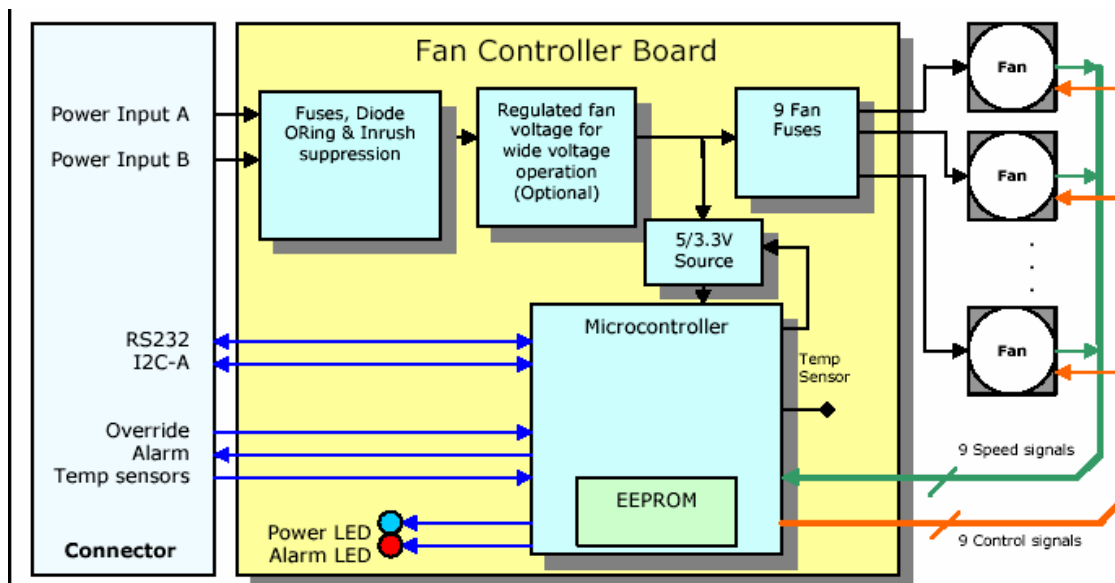
Description

DegreeC introduces the PTD series of PRONTOflow, a set of off-the-shelf programmable cooling trays for thermal management of rack-mounted products. These cooling trays are designed for use in a 1U high 19" rack application and are available with 3, 6, or 9 standard or high performance fans.

The input power is polarity and fuse protected and each fan is individually fused. Cooling trays are available for 24 and 48VDC applications.

The built in PRONTOflow CONTROL board controls fan speeds, communicates with host through serial interfaces measures temperatures, detects filter blockage, reports Operation and predicts fan failures. The fan speed control curve and alarm thresholds are programmable through PRONTOflow CONFIGURE software.

Functional Block



1

Electrical Specifications

Airflow Performance

Mechanical Dimensions
